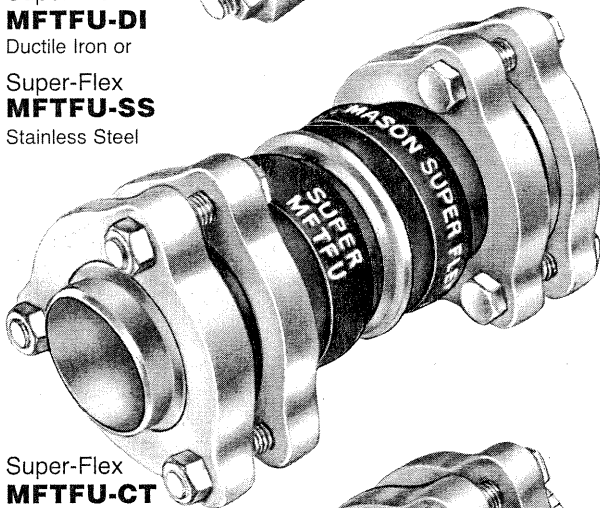


EXPANSION JOINTS & CONNECTORS



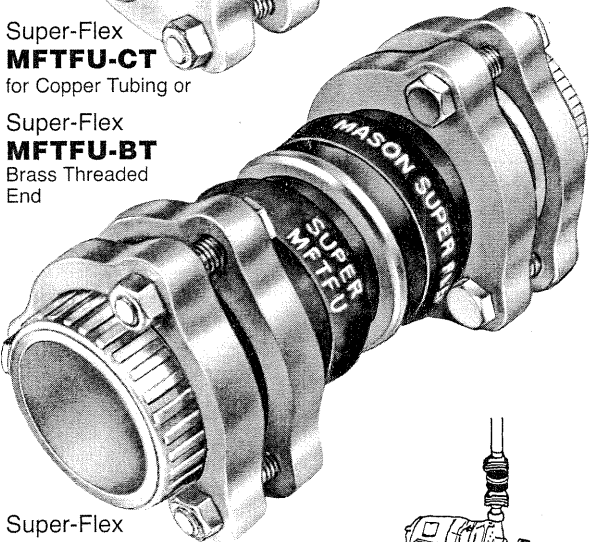
Super-Flex
MFTFU-DI
Ductile Iron or

Super-Flex
MFTFU-SS
Stainless Steel



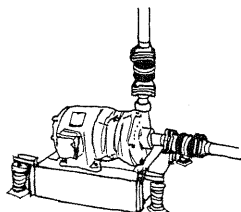
Super-Flex
MFTFU-CT
for Copper Tubing or

Super-Flex
MFTFU-BT
Brass Threaded
End



Super-Flex
MFTFU-PC
PVC Cement End or

Super-Flex
MFTFU-PT
PVC Threaded End



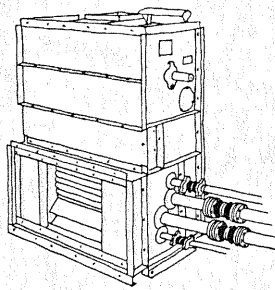
The Super-Flex MFTFU is an expanded line of reliable small sized twin-sphere expansion joints and connectors. Virtually all competitive units are limited to two-ply construction. Our superior design using nylon tire cord reinforcement and the DuPont Nordel (EPDM) cover and liner places these small sizes in the same temperature and pressure class as their bigger brothers. The molded-in ductile reinforcing ring between the two spheres maintains the two spherical shapes at maximum pressures. The MFTFU has excellent expansion and contraction, misalignment and sound absorption capabilities. Six types of fittings make these units extremely versatile.

SUPER-FLEX CONNECTORS

- Are recommended for Expansion and Contraction
- Compensate for Misalignment and Offset
- Protect against harmful "Start-up" and Surge Forces
- Save the Expense of costly Expansion Loops
- Guard against Vibration that could result in Damaged Piping and Noisy Installations
- Have Molded Liner Ribs to smooth out Water Flow
- Pay for Themselves by Eliminating Alignment Costs and making Final Connections Quick and Easy

WE OFFER:

- Ductile iron threaded floating flanges finished in red baked enamel in NPT, British or Metric Standards. Sizes 3/4" to 2" (20mm to 50mm)
- 304 stainless steel threaded floating flanges finished in red baked enamel in NPT, British or Metric Standards. Sizes 3/4" to 2" (20mm to 50mm)
- Sweat Ends for copper piping or Brass Threaded End for brass pipe. Sizes 3/4" to 2" (20mm to 50mm)
- PVC Threaded Unions sizes in NPT, British or Metric Standards. Sizes 3/4" to 2" (20mm to 50mm)
- PVC Slip-on Cemented Unions. Sizes 3/4" to 2" (20mm to 50mm)
- Other Elastomer such as Neoprene, Hypalon, Buna-N, SBR, Chloro-Butyl, Natural Rubber, etc. for special applications.

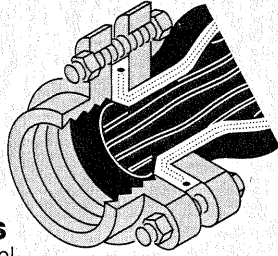


SUPER-FLEX MFTFU Dimensions and Allowable Movements

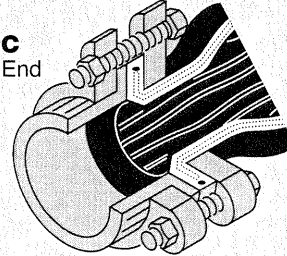
MFTFU Pipe Size	Overall Length End to End	Allowable Movements			
		Axial Compression	Axial Elongation	Transverse Movement	Angular Movement
in mm	in mm	in mm	in mm	±in ±mm	(degree)
3/4	20 180	3/4 19	1/4 6	5/8 16	25°
1	25 180	3/4 19	1/4 6	5/8 16	20°
1 1/4	30 180	3/4 19	1/4 6	5/8 16	20°
1 1/2	40 180	3/4 19	1/4 6	5/8 16	20°
2	50 180	3/4 19	1/4 6	5/8 16	20°

NOTE: Fittings do not change Dimensions or Movements

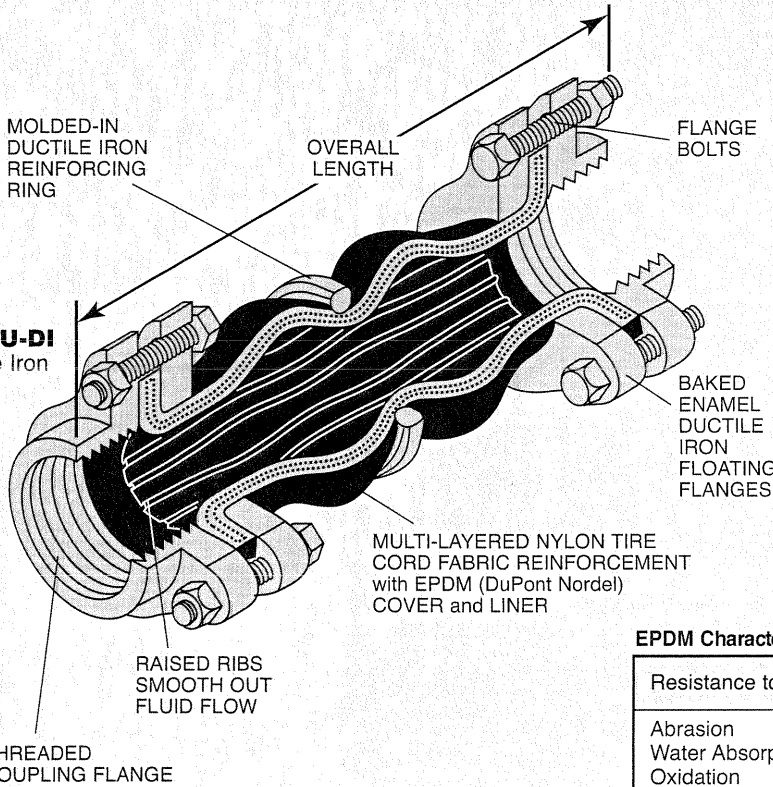
MFTFU-SS
Stainless Steel



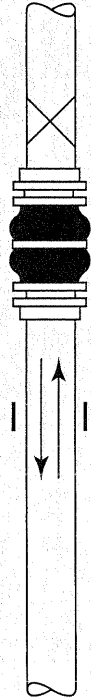
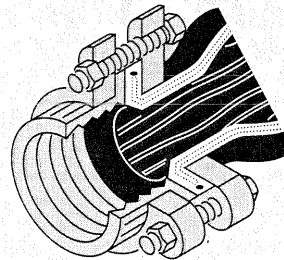
MFTFU-PC
PVC Cement End



MFTFU-DI
Ductile Iron



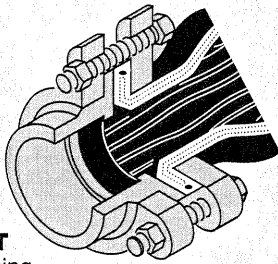
MFTFU-PT
PVC Threaded End or
MFTFU-BT
Brass Threaded End



EPDM Characteristics

Resistance to	EPDM	NEOPRENE	NATURAL RUBBER
Abrasion	Excellent	Excellent	Excellent
Water Absorption	Very Good	Good	Very Good
Oxidation	Excellent	Excellent	Good
Ozone	Outstanding	Excellent	Fair
Sunlight Aging	Outstanding	Very Good	Poor
Heat Aging	Excellent	Excellent	Good
Heat	Excellent	Very Good	Good
	275°F 135°C	190°F 87°C	180°F 82°C
Cold	Excellent	Good	Very Good
	-60°F -51°C	-10°F -23°F	-20°F -28°C

MFTFU-CT
for Copper Tubing



SUPER-FLEX MFTFU PRESSURE - TEMPERATURE RATINGS

Nominal Pressure 250 psi - 17.5 kg/cm²
250°F - 121°C with pressure correction
MFTFU Recommended for Full Vacuum
Minimum Burst Pressure 1000 psi - 70 kg/cm²
Note: Flange leakage may occur at 750 psi - 52.5 kg/cm²

